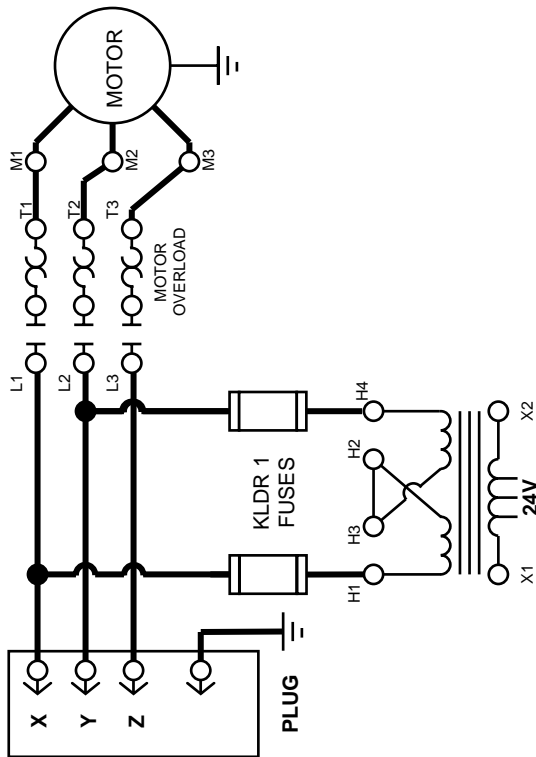
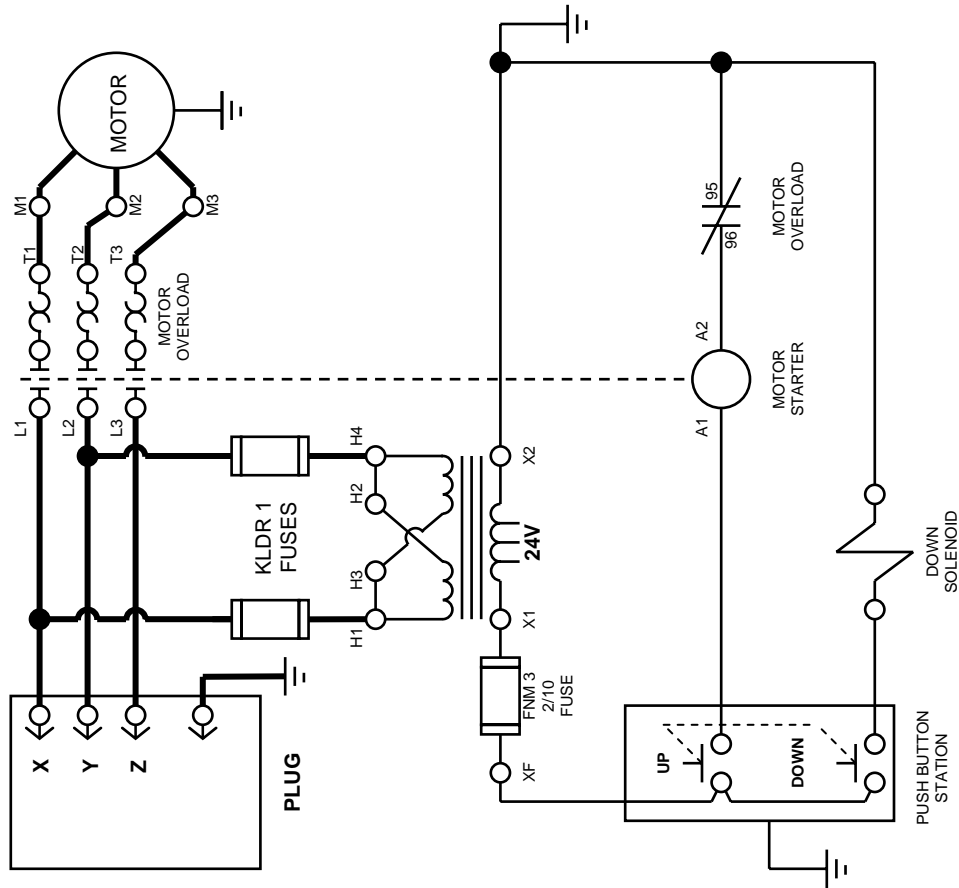


460V 3Ø OPERATION



230V 3Ø OPERATION



THREE PHASE ELECTRICAL DIAGRAM