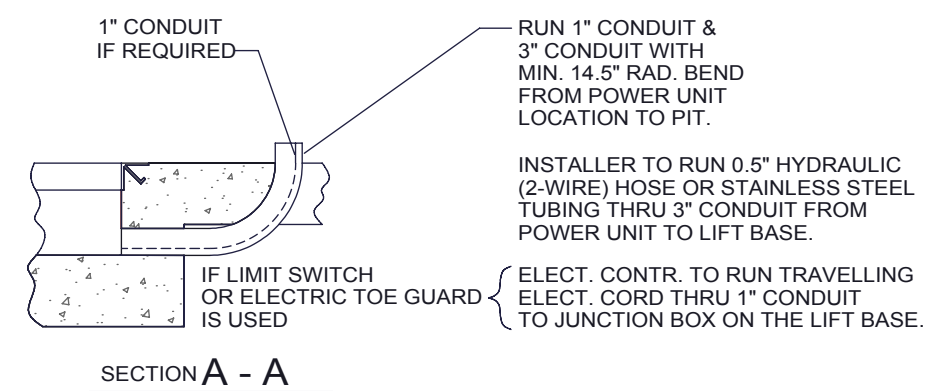


**GENERAL NOTES:**

1. ALL AXLES AND SHAFTS ARE CHROME PLATED.
2. ALL ROLLERS AND PIVOT POINTS ARE EQUIPPED WITH TEFLON SELF-LUBRICATING BEARINGS.
3. ADVANCE LIFTS, INC. TO SUPPLY 10 GALLONS OF A MULTI VISCOSITY ISO-46 GROUP II BASE OIL AND (1) 20' .5" EXTRA HEAVY DOUBLE WIRE BRAID HOSE (SAE 100R2) FOR THE POWER UNIT TO THE EQUIPMENT CONNECTION WITH .5" JIC FEMALE SWIVEL FITTINGS ON THE ENDS.
4. REINFORCE CONCRETE TO SUIT LOCAL SOIL CONDITIONS PLUS YOUR DESIRED SAFETY FACTORS.
5. OVERALL POWER UNIT SIZE: 26" WIDE X 22" LONG X 21" HIGH (INCLUDING MOTOR AND BRACKETS FOR WALL MOUNTING).
6. CONCRETE WORK, REINFORCING, BUILDING MODIFICATIONS, PIPING, ELECTRICAL WIRING, EMBEDDED ITEMS, INSTALLATION, ETC. (BY OTHERS)
7. ADVANCE LIFTS, INC. TO SUPPLY:
  - (1) 20' LG. PUSHBUTTON COILCORD.
  - 20' LENGTH .25" I.D. HYDRAULIC HOSE WITH .25" FEMALE JIC SWIVEL FITTINGS ON THE ENDS FOR THE VENT LINE CONNECTION FROM THE BASEFRAME TO THE POWER UNIT.
  - INSTALLATION PACKAGE AS OUTLINED IN GENERAL NOTE #3.
8. FINISH: BLUE PAINT
9. PIT DIMENSION TOLERANCES ARE PLUS .25", MINUS 0" (+.25", -0").
10. TYPICAL ELECTRICAL DIAGRAM: E22-1471  
TYPICAL HYDRAULIC DIAGRAM: H13-160

**SPECIFICATIONS:**

- CAPACITY : 8,000 LBS MAX. LIFTING CAPACITY  
6,500 LBS MAX. AXLE CAPACITY ENDS  
5,000 LBS MAX. AXLE CAPACITY SIDES
- PLATFORM : 72" WIDE X 108" LONG SAFETY TREAD DECK  
REMOVABLE STEEL GUARDRAILS  
12" LONG X 72" WIDE HINGED STEEL BRIDGE  
ALL WITH CHAINS  
BEVEL TOE GUARDS  
SAFETY STRIPING
- SPEED : 10 FPM
- TRAVEL : 58" ( FROM A 12" LOWERED HEIGHT )
- LOWERED HEIGHT : 12"
- POWER UNIT : 5 HP MOTOR 230V 60 Hz 3PH  
(REMOTE FROM LIFT)
- CONTROL: UP-DOWN WEATHER-PROOF PUSHBUTTON  
STATION, PENDANT TYPE NEMA 1, 3, 3R, 4, 4X.
- IN NEMA 12 ENCLOSURE : MAGNETIC STARTER, W/ OVERLOAD  
230V TO 24 V CONTROL TRANSFORMER
- APPROXIMATE SHIPPING WEIGHT: 3,350 LBS



DIMENSIONS SHOWN IN INCHES AND WEIGHTS SHOWN IN POUNDS UNLESS OTHERWISE NOTED

**ADVANCE LIFTS** Advance Lifts, Inc.  
701 S. Kirk Road Phone : 630-584-9881  
St. Charles, IL 60174 Fax : 630-584-6837

SCALE	NTS	REVISIONS		BY	DATE
DATE	XX/XX/XX	X	X	X	X
DR'N	XXX				
JOB #	XXX				
JOB NAME	XXXXXX				
DESC.	MODEL 3210 DOCKLIFT			DWG.	B-
				REV.	