



**ADVANCE LIFTS**<sup>®</sup>

---



**ADVANCE DUMPERS**



## STANDARD DUMPERS

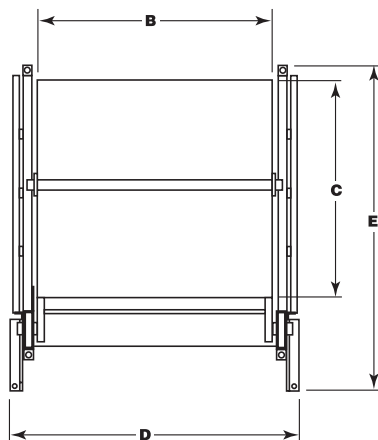
*These dumpers are our most compact design and provide a minimum size footprint. The units tilt approximately 125 degrees. The carriages are designed to hold bins, gaylords or carts and dump their contents which can be as varied as meat, grain, castings, plastic pellets, or the U.S. mail. Although we offer a wide assortment of standard sizes, some applications require highly modified or custom designs which we are happy to provide.*



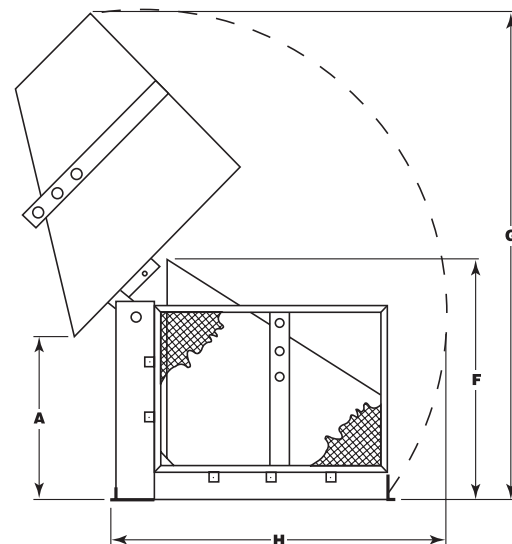
### SPECIAL FEATURES

- ▶ Designed for a minimum size footprint.
- ▶ Adjustable retaining bar.
- ▶ The cylinders are machine grade single acting style.
- ▶ All of the controllers are Underwriter Laboratory approved assemblies.
- ▶ All shafts, axles and pins are hard chrome plated.
- ▶ All bearings are lifetime lubricated.
- ▶ These units are fully primed and finished with baked enamel.

### DIMENSION KEY



Top View



Side View

## STANDARD DUMPERS

### SPECIFICATION TABLE FOR STANDARD DUMPERS

| Model       | Capacity Lbs. | (A) Dump Height | (BxC) Carriage WxL | (DxE) Overall WxL | Motor H.P. | Speed Sec. | (F) Carriage Height | (G) Arc Height | (H) Arc Length | Approx. Weight |
|-------------|---------------|-----------------|--------------------|-------------------|------------|------------|---------------------|----------------|----------------|----------------|
| DP-236-4036 | 2000          | 36              | 40 X 36            | 53 X 56           | 2          | 19         | 53                  | 99             | 70             | 1010           |
| DP-236-4048 | 2000          | 36              | 40 X 48            | 53 X 68           | 2          | 19         | 53                  | 108            | 79             | 1045           |
| DP-236-5236 | 2000          | 36              | 52 X 36            | 65 X 56           | 2          | 19         | 53                  | 99             | 70             | 1040           |
| DP-236-5248 | 2000          | 36              | 52 X 48            | 65 X 68           | 2          | 19         | 53                  | 108            | 79             | 1085           |
| DP-248-4036 | 2000          | 48              | 40 X 36            | 53 X 58           | 2          | 25         | 65                  | 120            | 79             | 1020           |
| DP-248-4048 | 2000          | 48              | 40 X 48            | 53 X 70           | 2          | 25         | 65                  | 128            | 87             | 1055           |
| DP-248-5236 | 2000          | 48              | 52 X 36            | 65 X 58           | 2          | 25         | 65                  | 120            | 79             | 1050           |
| DP-248-5248 | 2000          | 48              | 52 X 48            | 65 X 70           | 2          | 25         | 65                  | 128            | 87             | 1095           |
| DP-260-4036 | 2000          | 60              | 40 X 36            | 53 X 58           | 2          | 33         | 77                  | 140            | 79             | 1030           |
| DP-260-4048 | 2000          | 60              | 40 X 48            | 53 X 70           | 2          | 33         | 77                  | 149            | 87             | 1065           |
| DP-260-5236 | 2000          | 60              | 52 X 36            | 65 X 58           | 2          | 33         | 77                  | 140            | 79             | 1060           |
| DP-260-5248 | 2000          | 60              | 52 X 48            | 65 X 70           | 2          | 33         | 77                  | 149            | 87             | 1105           |
| DP-436-4036 | 4000          | 36              | 40 X 36            | 53 X 58           | 2          | 33         | 53                  | 99             | 70             | 1040           |
| DP-436-4048 | 4000          | 36              | 40 X 48            | 53 X 70           | 2          | 33         | 53                  | 108            | 79             | 1075           |
| DP-436-5236 | 4000          | 36              | 52 X 36            | 65 X 58           | 2          | 33         | 53                  | 99             | 70             | 1070           |
| DP-436-5248 | 4000          | 36              | 52 X 48            | 65 X 70           | 2          | 33         | 53                  | 108            | 79             | 1115           |
| DP-448-4036 | 4000          | 48              | 40 X 36            | 53 X 58           | 2          | 37         | 65                  | 120            | 79             | 1050           |
| DP-448-4048 | 4000          | 48              | 40 X 48            | 53 X 70           | 2          | 37         | 65                  | 128            | 87             | 1085           |
| DP-448-5236 | 4000          | 48              | 52 X 36            | 65 X 58           | 2          | 37         | 65                  | 120            | 79             | 1080           |
| DP-448-5248 | 4000          | 48              | 52 X 48            | 65 X 70           | 2          | 37         | 65                  | 128            | 87             | 1125           |
| DP-460-4036 | 4000          | 60              | 40 X 36            | 53 X 58           | 2          | 53         | 77                  | 140            | 89             | 1060           |
| DP-460-4048 | 4000          | 60              | 40 X 48            | 53 X 70           | 2          | 53         | 77                  | 149            | 96             | 1095           |
| DP-460-5236 | 4000          | 60              | 52 X 36            | 65 X 58           | 2          | 53         | 77                  | 140            | 89             | 1090           |
| DP-460-5248 | 4000          | 60              | 52 X 48            | 65 X 70           | 2          | 53         | 77                  | 149            | 96             | 1135           |
| DP-636-4036 | 6000          | 36              | 40 X 36            | 53 X 58           | 2          | 37         | 53                  | 99             | 70             | 1070           |
| DP-636-4048 | 6000          | 36              | 40 X 48            | 53 X 70           | 2          | 37         | 53                  | 108            | 79             | 1105           |
| DP-636-5236 | 6000          | 36              | 52 X 36            | 65 X 58           | 2          | 37         | 53                  | 99             | 70             | 1100           |
| DP-636-5248 | 6000          | 36              | 52 X 48            | 65 X 70           | 2          | 37         | 53                  | 108            | 79             | 1145           |
| DP-648-4036 | 6000          | 48              | 40 X 36            | 53 X 58           | 2          | 53         | 65                  | 120            | 79             | 1080           |
| DP-648-4048 | 6000          | 48              | 40 X 48            | 53 X 70           | 2          | 53         | 65                  | 128            | 87             | 1115           |
| DP-648-5236 | 6000          | 48              | 52 X 36            | 65 X 58           | 2          | 53         | 65                  | 120            | 79             | 1110           |
| DP-648-5248 | 6000          | 48              | 52 X 48            | 65 X 70           | 2          | 53         | 65                  | 128            | 87             | 1155           |
| DP-660-4036 | 6000          | 60              | 40 X 36            | 53 X 58           | 2          | 66         | 77                  | 140            | 89             | 1090           |
| DP-660-4048 | 6000          | 60              | 40 X 48            | 53 X 70           | 2          | 66         | 77                  | 149            | 96             | 1125           |
| DP-660-5236 | 6000          | 60              | 52 X 36            | 65 X 58           | 2          | 66         | 77                  | 140            | 89             | 1120           |
| DP-660-5248 | 6000          | 60              | 52 X 48            | 65 X 70           | 2          | 66         | 77                  | 149            | 96             | 1165           |

### FEATURE DETAILS



▶ *Standard Power Unit.*



▶ *Cylinder.*



▶ *Adjustable Retaining Bar.*



▶ *Standard Mesh Guard.*

## HEAVY DUTY DUMPERS

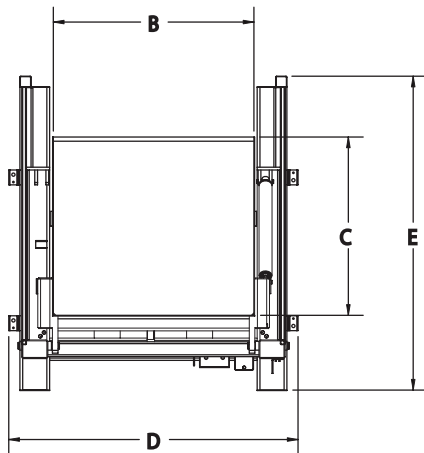
Applications that regularly exceed six (6) cycles per hour and/or more than one (1) shift per day require heavy duty dumpers. If the items being dumped act like a sticky commodity that requires frequent jogging to maintain flow, then heavy duty dumpers are needed. These units are equipped with continuous duty motors and the robust design features extra rugged structural members. These units are ideal for tough applications.



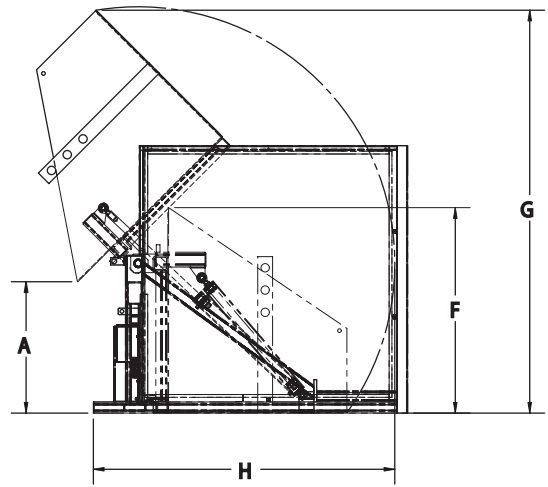
### SPECIAL FEATURES

- ▶ Full 135 degree tilt.
- ▶ Machine grade double acting cylinders with spherical rod ends.
- ▶ Continuous duty motors.
- ▶ Controllers are Underwriter Laboratory approved assemblies.
- ▶ All bearings are lifetime lubricated.

### DIMENSION KEY



Top View



Side View

# HEAVY DUTY DUMPERS

## SPECIFICATION TABLE FOR HEAVY DUTY DUMPERS

| Model         | Capacity Lbs. | (A) Dump Height | (BxC) Carriage WxL | (DxE) Overall WxL | Motor H.P. | Speed Sec. | (F) Carriage Height | (G) Arc Height | (H) Arc Length | Approx. Weight |
|---------------|---------------|-----------------|--------------------|-------------------|------------|------------|---------------------|----------------|----------------|----------------|
| HDDP-236-4836 | 2000          | 36              | 48 X 36            | 72 X 73           | 5          | 30         | 55                  | 98             | 70             | 1600           |
| HDDP-436-4836 | 4000          | 36              | 48 X 36            | 72 X 73           | 5          | 36         | 55                  | 98             | 70             | 1800           |
| HDDP-636-4836 | 6000          | 36              | 48 X 36            | 72 X 73           | 5          | 41         | 55                  | 98             | 70             | 1900           |
| HDDP-248-4836 | 2000          | 48              | 48 X 36            | 72 X 82           | 5          | 36         | 67                  | 117            | 79             | 1700           |
| HDDP-448-4836 | 4000          | 48              | 48 X 36            | 72 X 82           | 5          | 40         | 67                  | 117            | 79             | 1900           |
| HDDP-648-4836 | 6000          | 48              | 48 X 36            | 72 X 82           | 5          | 45         | 67                  | 117            | 79             | 2000           |
| HDDP-260-4836 | 2000          | 60              | 48 X 36            | 72 X 91           | 5          | 44         | 79                  | 126            | 88             | 1800           |
| HDDP-460-4836 | 4000          | 60              | 48 X 36            | 72 X 91           | 5          | 48         | 79                  | 126            | 88             | 2000           |
| HDDP-660-4836 | 6000          | 60              | 48 X 36            | 72 X 91           | 5          | 53         | 79                  | 126            | 88             | 2100           |
| HDDP-236-4848 | 2000          | 36              | 48 X 48            | 72 X 85           | 5          | 30         | 55                  | 109            | 81             | 1700           |
| HDDP-436-4848 | 4000          | 36              | 48 X 48            | 72 X 85           | 5          | 36         | 55                  | 109            | 81             | 1900           |
| HDDP-636-4848 | 6000          | 36              | 48 X 48            | 72 X 85           | 5          | 41         | 55                  | 109            | 81             | 2000           |
| HDDP-248-4848 | 2000          | 48              | 48 X 48            | 72 X 94           | 5          | 36         | 67                  | 128            | 90             | 1800           |
| HDDP-448-4848 | 4000          | 48              | 48 X 48            | 72 X 94           | 5          | 40         | 67                  | 128            | 90             | 2000           |
| HDDP-648-4848 | 6000          | 48              | 48 X 48            | 72 X 94           | 5          | 45         | 67                  | 128            | 90             | 2100           |
| HDDP-260-4848 | 2000          | 60              | 48 X 48            | 72 X 103          | 5          | 44         | 79                  | 137            | 99             | 1900           |
| HDDP-460-4848 | 4000          | 60              | 48 X 48            | 72 X 103          | 5          | 48         | 79                  | 137            | 99             | 2100           |
| HDDP-660-4848 | 6000          | 60              | 48 X 48            | 72 X 103          | 5          | 53         | 79                  | 137            | 99             | 2200           |
| HDDP-236-5448 | 2000          | 36              | 54 X 48            | 78 X 85           | 5          | 30         | 55                  | 109            | 81             | 1800           |
| HDDP-436-5448 | 4000          | 36              | 54 X 48            | 78 X 85           | 5          | 36         | 55                  | 109            | 81             | 2000           |
| HDDP-636-5448 | 6000          | 36              | 54 X 48            | 78 X 85           | 5          | 41         | 55                  | 109            | 81             | 2100           |
| HDDP-248-5448 | 2000          | 48              | 54 X 48            | 78 X 94           | 5          | 36         | 67                  | 128            | 90             | 1900           |
| HDDP-448-5448 | 4000          | 48              | 54 X 48            | 78 X 94           | 5          | 40         | 67                  | 128            | 90             | 2100           |
| HDDP-648-5448 | 6000          | 48              | 54 X 48            | 78 X 94           | 5          | 45         | 67                  | 128            | 90             | 2200           |
| HDDP-260-5448 | 2000          | 60              | 54 X 48            | 78 X 103          | 5          | 44         | 79                  | 137            | 99             | 2000           |
| HDDP-460-5448 | 4000          | 60              | 54 X 48            | 78 X 103          | 5          | 48         | 79                  | 137            | 99             | 2200           |
| HDDP-660-5448 | 6000          | 60              | 54 X 48            | 78 X 103          | 5          | 53         | 79                  | 137            | 99             | 2300           |

## FEATURE DETAILS



▶ Continuous Duty Power Units.



▶ Optional Chutes & Soft Lips.



▶ Optional Electronic Eye.



▶ Adjustable Retaining Bar.

## HIGH REACH DUMPERS

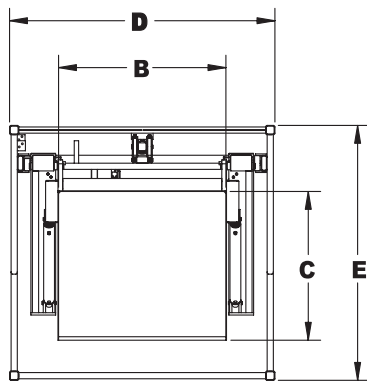
*These units have been designed for applications that require lifting a container to a high elevation and then dumping it. They safely accomplish the function of lifting & dumping in one compact unit. Applications for these units include grinders and other processing equipment with high in-feed locations. High reach dumpers can eliminate the need for long power conveyors and/or mezzanines serviced by lift systems.*



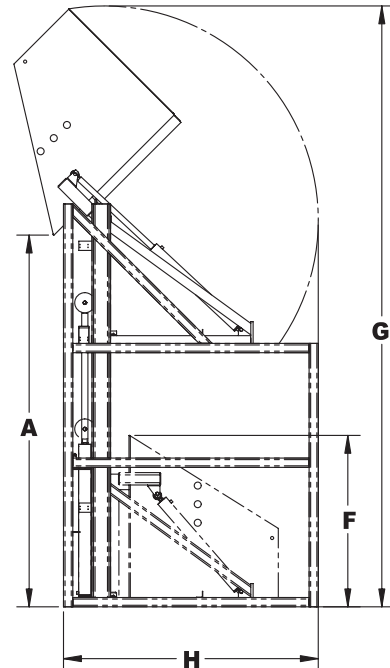
### SPECIAL FEATURES

- ▶ Full 135 degree tilt.
- ▶ Machine grade single acting cylinder with for lifting and double acting cylinders spherical rod ends for tilting.
- ▶ Continuous duty motors.
- ▶ Controllers are Underwriter Laboratory approved assemblies.
- ▶ All bearings are lifetime lubricated.

### DIMENSION KEY



Top View



Side View

# HIGH REACH DUMPERS

## SPECIFICATION TABLE FOR HIGH REACH DUMPERS

| Model          | Capacity Lbs. | (A) Dump Height | (BxC) Carriage WxL | (DxE) Overall WxL | Motor H.P. | Speed Sec. | (F) Carriage Height | (G) Arc Height | (H) Arc Length | Approx. Weight |
|----------------|---------------|-----------------|--------------------|-------------------|------------|------------|---------------------|----------------|----------------|----------------|
| HRDP-272-4836  | 2000          | 72              | 48 X 36            | 79 X 71           | 5          | 37         | 55                  | 138            | 71             | 2300           |
| HRDP-472-4836  | 4000          | 72              | 48 X 36            | 79 X 71           | 5          | 37         | 55                  | 138            | 71             | 2600           |
| HRDP-672-4836  | 6000          | 72              | 48 X 36            | 79 X 71           | 5          | 37         | 55                  | 138            | 71             | 3200           |
| HRDP-296-4836  | 2000          | 96              | 48 X 36            | 79 X 71           | 5          | 44         | 55                  | 162            | 71             | 2300           |
| HRDP-496-4836  | 4000          | 96              | 48 X 36            | 79 X 71           | 5          | 44         | 55                  | 162            | 71             | 2600           |
| HRDP-696-4836  | 6000          | 96              | 48 X 36            | 79 X 71           | 5          | 44         | 55                  | 162            | 71             | 3200           |
| HRDP-2120-4836 | 2000          | 120             | 48 X 36            | 79 X 71           | 5          | 51         | 55                  | 186            | 71             | 2400           |
| HRDP-4120-4836 | 4000          | 120             | 48 X 36            | 79 X 71           | 5          | 51         | 55                  | 186            | 71             | 2700           |
| HRDP-6120-4836 | 6000          | 120             | 48 X 36            | 79 X 71           | 5          | 67         | 55                  | 186            | 71             | 3300           |
| HRDP-272-4848  | 2000          | 72              | 48 X 48            | 79 X 83           | 5          | 37         | 55                  | 146            | 83             | 2400           |
| HRDP-472-4848  | 4000          | 72              | 48 X 48            | 79 X 83           | 5          | 37         | 55                  | 146            | 83             | 2700           |
| HRDP-672-4848  | 6000          | 72              | 48 X 48            | 79 X 83           | 5          | 37         | 55                  | 146            | 83             | 3300           |
| HRDP-296-4848  | 2000          | 96              | 48 X 48            | 79 X 83           | 5          | 44         | 55                  | 170            | 83             | 2400           |
| HRDP-496-4848  | 4000          | 96              | 48 X 48            | 79 X 83           | 5          | 44         | 55                  | 170            | 83             | 2700           |
| HRDP-696-4848  | 6000          | 96              | 48 X 48            | 79 X 83           | 5          | 44         | 55                  | 170            | 83             | 3300           |
| HRDP-2120-4848 | 2000          | 120             | 48 X 48            | 79 X 83           | 5          | 51         | 55                  | 194            | 83             | 2500           |
| HRDP-4120-4848 | 4000          | 120             | 48 X 48            | 79 X 83           | 5          | 51         | 55                  | 194            | 83             | 2800           |
| HRDP-6120-4848 | 6000          | 120             | 48 X 48            | 79 X 83           | 5          | 67         | 55                  | 194            | 83             | 3400           |
| HRPD-272-5448  | 2000          | 72              | 54 X 48            | 85 X 83           | 5          | 37         | 55                  | 146            | 83             | 2400           |
| HRPD-472-5448  | 4000          | 72              | 54 X 48            | 85 X 83           | 5          | 37         | 55                  | 146            | 83             | 2700           |
| HRPD-672-5448  | 6000          | 72              | 54 X 48            | 85 X 83           | 5          | 37         | 55                  | 146            | 83             | 3300           |
| HRPD-296-5448  | 2000          | 96              | 54 X 48            | 85 X 83           | 5          | 44         | 55                  | 170            | 83             | 2400           |
| HRPD-496-5448  | 4000          | 96              | 54 X 48            | 85 X 83           | 5          | 44         | 55                  | 170            | 83             | 2700           |
| HRPD-696-5448  | 6000          | 96              | 54 X 48            | 85 X 83           | 5          | 44         | 55                  | 170            | 83             | 3300           |
| HRPD-2120-5448 | 2000          | 120             | 54 X 48            | 85 X 83           | 5          | 51         | 55                  | 194            | 83             | 2500           |
| HRPD-4120-5448 | 4000          | 120             | 54 X 48            | 85 X 83           | 5          | 51         | 55                  | 194            | 83             | 2800           |
| HRPD-6120-5448 | 6000          | 120             | 54 X 48            | 85 X 83           | 5          | 67         | 55                  | 194            | 83             | 3400           |

For dump heights between standard sizes, add \$250 to the price of the taller unit for engineering charges.

## FEATURE DETAILS



▶ Continuous Duty Power Units.



▶ Optional Chutes & Soft Lips.



▶ Standard Electronic Eye.



▶ Cable Carrier Enclosures For Traveling Cylinder Hoses.



*Our state of the art 120,000 square foot building houses all operations including sales, design, manufacturing and shipping.*

**For the period of 2005 & 2006, Advance Lifts shipped 450 large bin dumpers.** This makes us the largest producer of large bin dumpers in the country. This is an important part of our business, not just something that we occasionally dabble in.

**Advance lifts has invested thousands of hours in research and development of large bin dumpers.** The products in this catalog are the result of those engineering efforts, which allows us to offer the best possible value in the industry. These machines have robust designs that achieve optimum cost benefit ratios.

**Special customized designs are our forte.** One off designs to fit customer's unique applications are our favorite kind of work. Because of our extensive library of specials, the engineering time for special designs is minimized, resulting in shorter delivery times.

## **ADVANCE LIFTS WARRANTY**

For a period of one year from date of shipment from the Company's plant, the Company agrees to replace or repair, free of charge, any defective parts, material or workmanship on new equipment. This shall include electrical and hydraulic components.

For a period of ten years or 125,000 cycles (whichever occurs first) from date of shipment from Company's plant, the Company agrees to replace or repair any defective structure.

Company authorization must be obtained prior to the commencement of any work. The Company reserves the right of choice between effecting repairs in the field or paying all freight charges and effecting the repairs at the Company's plant. The Company further reserves the right of final determination in all warranty considerations. Evidence of overloading, abuse or field modification of units without Company approval shall void this warranty. No contingent liabilities will be accepted.

***DISTRIBUTED BY:***



701 S. Kirk Road  
St. Charles, IL 60174  
Ph: 1-800-843-3625  
Fax: 630-584-9405  
[www.advancelifts.com](http://www.advancelifts.com)