



ADVANCE LIFTS



INSTANT DOCK MODEL 6568



INSTANT DOCK MODEL 6568

If you have a concrete pad & electrical power source, then you can simply put this lift on the pad, plug it in, lag it down and you have an instant dock. It is as easy as that! This dock will service any height truck as well as provide dock to ground access if you have a raised concrete dock.



SPECIAL FEATURES

- ▶ A roomy deck to accommodate a man with a loaded pallet truck.
- ▶ All models are equipped with a hinged bridge with a pull back chain.
- ▶ All models have a combination approach ramp, wheel chock.
- ▶ All of the electrical controllers are Underwriters Laboratories approved assemblies.
- ▶ Each unit is washed with phosphoric acid, fully primed and then finished with baked enamel.
- ▶ All cylinders are machine grade with clear plastic return lines.
- ▶ All pressure hoses are double wire braid with JIC fittings.
- ▶ Reservoirs are mild steel.
- ▶ These units conform to all applicable ANSI codes.

FEATURE DETAILS



▶ Power Unit



▶ Cylinder



▶ Double Wire Braid Hose



▶ Combination Wheel Chock/Ramp

INSTANT DOCK MODEL 6568

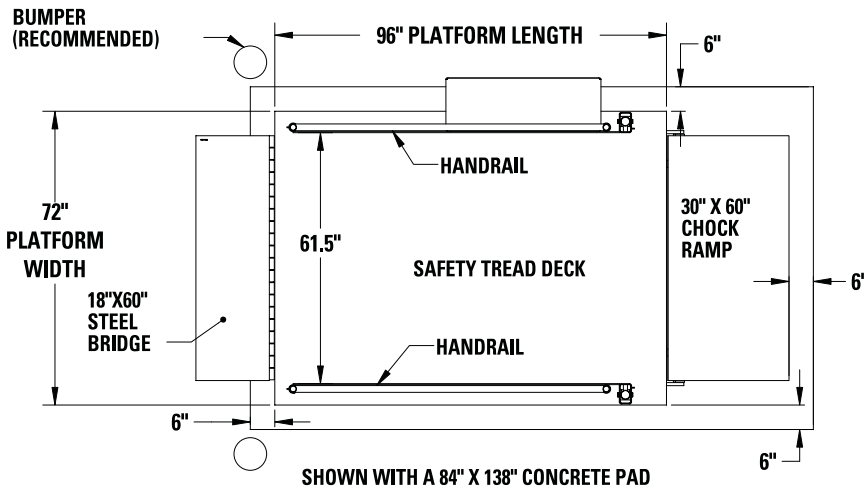
SPECIFICATION TABLE:

| Model | Lift Cap Lbs. | Axle Cap. | Platform Size | Overall Size | Low Height | Raised Height | Bridge Size | Chock/Ramp Size | Ship Weight |
|-------|---------------|-----------|---------------|--------------|------------|---------------|-------------|-----------------|-------------|
| 6568 | 5,500 | 2,750 | 6' X 8' | 80" X 144" | 5" | 58" | 18" X 60" | 30" X 60" | 2,290 |

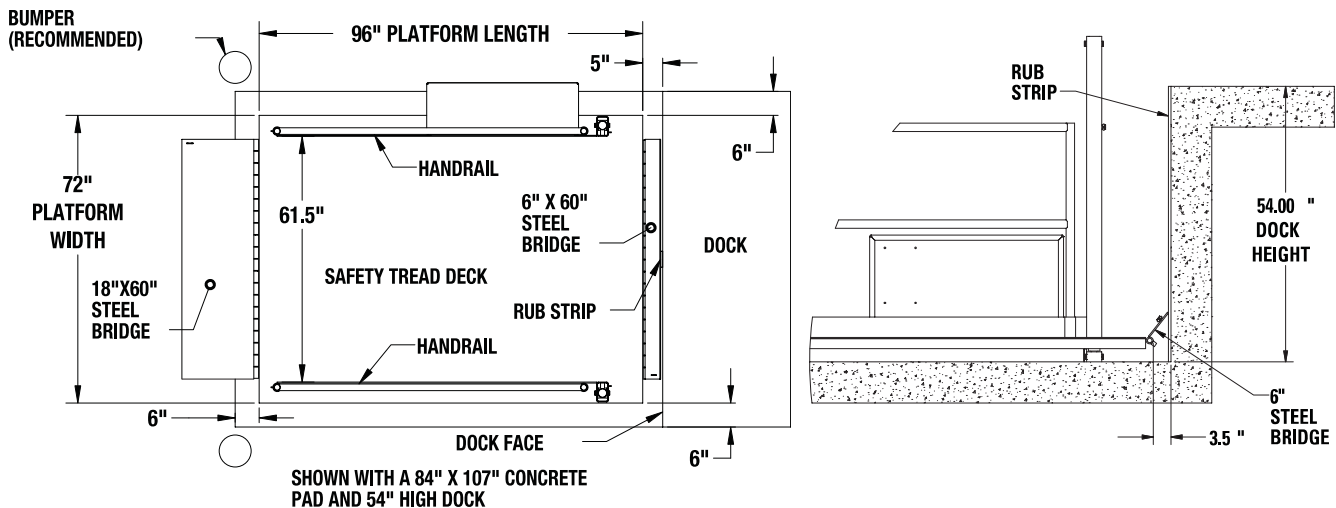
STANDARD POWER UNIT: 5 HP 230/60/3 FOR A SPEED OF 13 FPM

- ▶ Optional 5 HP 220/60/1 power unit for a speed of 13 FPM
- ▶ Optional front of dock kit which substitutes a 6" X 60" bridge for the 30" X 60" approach ramp and includes a 4" X 48" rub strip to mount against the front of dock for the short bridge to ride against (Kit includes 3 lag bolts for the rub strip).

STANDARD INSTALLATION



FRONT OF DOCK INSTALLATION





Instant Dock Models: (All designed for top of ground installations)

Series 1000 (1045, 1055)

Series 6000 (6200 6300, 6568)

Disappearing Dock Models: (All designed for pit mounted – recessed – installation)

2500K & 2010K

Series 3000

Series 2000T

Series 4000

ADVANCE LIFTS WARRANTY

For a period of one year from date of shipment from the Company's plant, the Company agrees to replace or repair, free of charge, any defective parts, material or workmanship on new equipment. This shall include electrical and hydraulic components.

For a period of ten years or 125,000 cycles (whichever occurs first) from date of shipment from Company's plant, the Company agrees to replace or repair any defective structure.

Company authorization must be obtained prior to the commencement of any work. The Company reserves the right of choice between effecting repairs in the field or paying all freight charges and effecting the repairs at the Company's plant. The Company further reserves the right of final determination in all warranty considerations. Evidence of overloading, abuse or field modification of units without Company approval shall void this warranty. No contingent liabilities will be accepted.

DISTRIBUTED BY:



701 S. Kirk Road
St. Charles, IL 60174

Ph: 1-800-843-3625

Fax: 630-584-9405

www.advancelifts.com