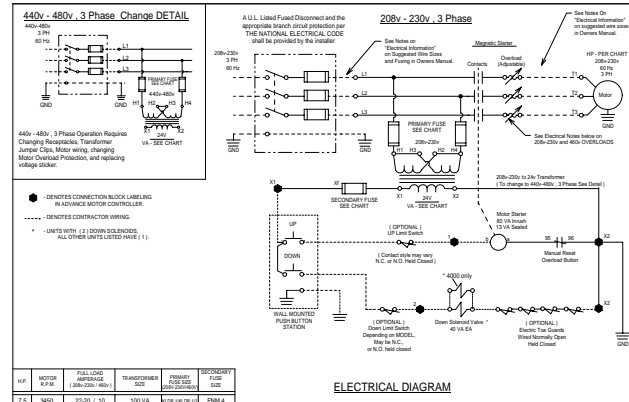
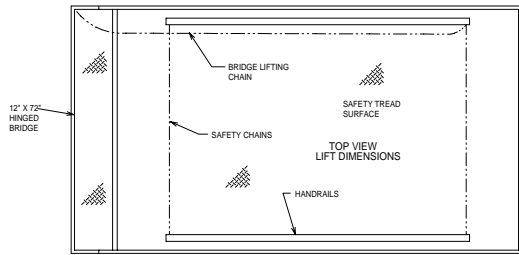


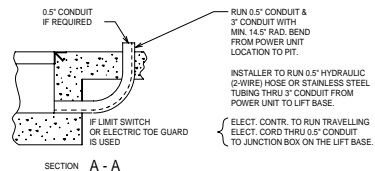
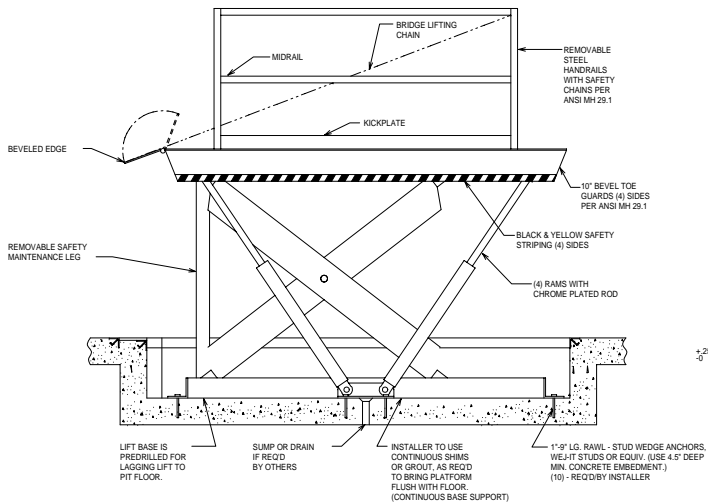
GENERAL NOTES:

1. ALL AXLES AND SHAFTS ARE CHROME PLATED.
2. ALL ROLLERS AND PIVOT POINTS ARE EQUIPPED WITH TEFLON SELF-LUBRICATING BEARINGS.
3. INSTALLER TO FURNISH APPROX. 15 GALLONS OF A MULTI-VISCOSITY ISO-46 GROUP II BASE OIL & (2) 20' 5\"/>



SPECIFICATIONS:

- CAPACITY:** 20,000 LBS MAX. LIFTING CAPACITY
16,000 LBS MAX. AXLE CAPACITY ENDS
14,000 LBS MAX. AXLE CAPACITY SIDES
- PLATFORM:** 72" X 120", SAFETY TREAD DECK, REMOVABLE HANDRAILS - STEEL
12" X 72" STEEL BRIDGE WITH CHAIN BEVEL TOE GUARDS
SAFETY STRIPING
- SPEED:** 8 FPM
- TRAVEL:** 58" (FROM A 20" LOWERED HEIGHT)
- LOWERED HEIGHT:** 20"
- POWER UNIT:** 7.5 HP MOTOR 230 V 60 Hz 3PH (REMOTE FROM LIFT)
- CONTROL:** UP-DOWN WEATHER-PROOF PUSHBUTTON STATION, PENDANT TYPE NEMA 1, 3, 3R, 4, 4X.



IN NEMA 12 ENCLOSURE : MAGNETIC STARTER, W/ OVERLOAD 230 V TO 24 V CONTROL TRANSFORMER.

APPROXIMATE SHIPPING WEIGHT: #6,400

ADVANCE LIFTS

Advance Lifts, Inc. 701 S. KRA Rd.
St. Charles, IL 60174
Phone: 630-584-0881 Fax: 630-584-0405

JOB NAME	X		
JOB NUMBER	X		
DATE	X	REVISED	BY DATE
BY	X		
APP'D	X		
TITLE	SUPERDOK MODEL 4400	NO	REV.
		D-	