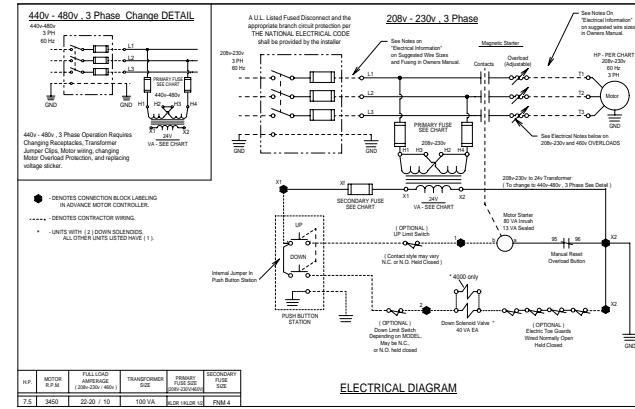
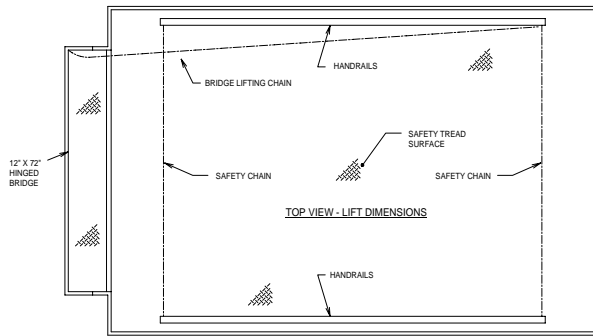


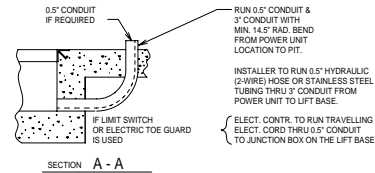
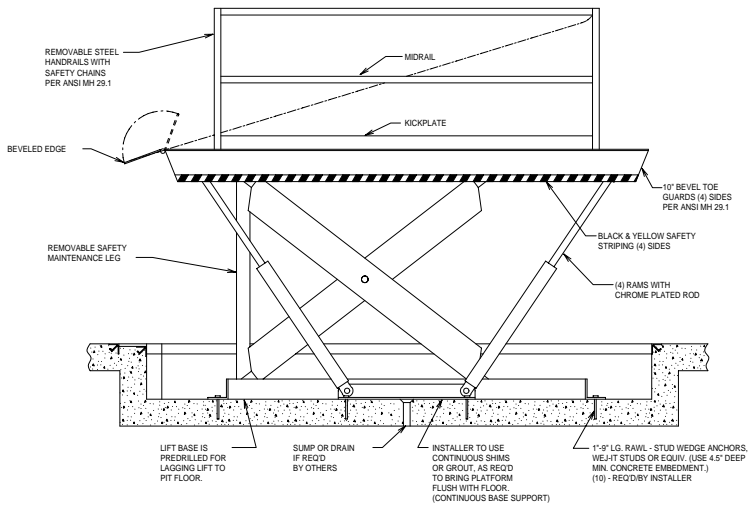
**GENERAL NOTES:**

1. ALL AXLES AND SHAFTS ARE CHROME PLATED.
2. ALL ROLLERS AND PIVOT POINTS ARE EQUIPPED WITH TEFLON SELF-LUBRICATING BEARINGS.
3. INSTALLER TO SUPPLY APPROXIMATELY 15 GALLONS OF A MULTI-VISCOACITY ISO-46 GROUP II BASE OIL & (2) 20' 5" EXTRA HEAVY DOUBLE WIRE BRAID HOSES (SAE 100R2) FOR THE POWER UNIT TO THE EQUIPMENT CONNECTION WITH .5" JIC FEMALE FITTINGS ON THE ENDS.
4. REINFORCE CONCRETE TO SUIT LOCAL SOIL CONDITIONS PLUS YOUR DESIRED SAFETY FACTORS.
5. OVERALL POWER UNIT SIZE: 26" WIDE X 22" LONG X 21" HIGH (INCLUDING MOTOR, AND BRACKETS FOR WALL MOUNTING).
6. CONCRETE WORK, REINFORCING, BUILDING MODIFICATIONS, PIPING, RESERVOIR FLUID, ELECTRICAL WIRING, EMBEDDED ITEMS, INSTALLATION, ETC. (BY OTHERS)
7. ADVANCE LIFTS, INC. TO SUPPLY:
  - (1) 20' LG. PUSHBUTTON COIL CORD.
  - 20' LENGTH OF .25 O.D. CLEAR POLYURETHANE TUBING FOR THE VENT LINES.
8. FINISH: BLUE PAINT
9. PIT DIMENSION TOLERANCES ARE PLUS .25", MINUS 0" (4.25" - 0").



**SPECIFICATIONS:**

- CAPACITY :**
- 12,000 LBS MAX. LIFTING CAPACITY
  - 9,600 LBS MAX. AXLE CAPACITY ENDS
  - 8,400 LBS MAX. AXLE CAPACITY SIDES
- PLATFORM :**
- 96" X 144"
  - SAFETY TREAD DECK
  - REMOVABLE HANDRAILS - STEEL
  - 12" X 72" STEEL BRIDGE WITH CHAIN BEVEL TOE GUARDS
  - SAFETY STRIPING
- SPEED :** 8 FPM



- TRAVEL :** 58" (FROM A 16.5" LOWERED HEIGHT)
- LOWERED HEIGHT :** 16.5"
- POWER UNIT :** 5 HP MOTOR 230 V 60 Hz 3PH (REMOTE FROM LIFT)
- CONTROL :** UP/DOWN WEATHER-PROOF PUSHBUTTON STATION, PENDANT TYPE NEMA 1, 3, 3R, 4, 4X.
- IN NEMA 12 ENCLOSURE :** MAGNETIC STARTER, W/ OVERLOAD 230 V TO 24 V CONTROL TRANSFORMER.
- APPROXIMATE SHIPPING WEIGHT:** #6,900

DO NOT SCALE DRAWING

<b>ADVANCE LIFTS</b>		Advance Lifts, Inc. 701 S. Oak Rd. St. Charles, IL 61774 Phone 630-584-9887 Fax 630-584-9405	
JOB NAME:	X	DATE:	
DRAW NUMBER:	X	BY:	
SCALE:	1" = 1'-0"	REVISIONS:	
DWG. NO.:	100		
REV.:			
TITLE:	SUPERDOK MODEL 4180	NO.:	D-